

The automated CANNON D155 offers a low-cost, affordable alternative to manual hydrometer methods for measuring density and specific gravity with easy, one button operation. Built-in thermal control provides quick, precise measurement with 4 decimal resolution.

Common Applications

- Petrochemicals
[solvents, fuels, fuel oils, lubricants, crude oil]
- Chemicals
- Pharmaceuticals
- Cosmetics
- Food and beverages

D155 Density/Specific Gravity Meter

For Measuring Density, Specific Gravity and API Degrees
ASTM D1250, ASTM D1298, ASTM D4052, ASTM D7777

Product Features & Benefit

Precision and accuracy in a space-saving design

- Compact and lightweight oscillation-type densitometer measures density, specific gravity and API degrees
- Built-in, stable thermal control enables quick and precise density/specific gravity measurement with 4 decimal resolution
- Meets requirements of ASTM D1250, ASTM D1298, ASTM D4052 and ASTM D7777

Simple, automated operation

- Easy, one button operation replaces manual hydrometer methods and delivers results in ~2-4 minutes
- Automates the entire testing process from sample injection (if using optional peristaltic pump), to temperature equilibration to final density measurement
- Introduction of the next sample flushes previous sample residual and eliminates the need for flushing solvents
- Instrument is calibrated with pure water*

Versatile

- Tests samples with maximum viscosities of ~1,000 mPa·s [cSt]
- Sampling performed manually by direct injection into the test cell or automatically via use of the optional peristaltic pump
- Results may be output via the RS-232C port, stored on a USB storage device or printed to the optional DOT matrix printer
- Internal memory retains results from the last 10 measurements

*Factory calibration is performed with air



D155 Density/Specific Gravity Meter

Ordering Information

D155 Density/Specific Gravity Meter may be ordered with or without an optional peristaltic pump. Includes 5 syringes, 1 wrench and PTFE tubing.

Description	Part #
100 VAC ~ 240 VAC, 50/60 Hz	9726-P10
100 VAC ~ 240 VAC, 50/60 Hz with peristaltic pump	9726-P15

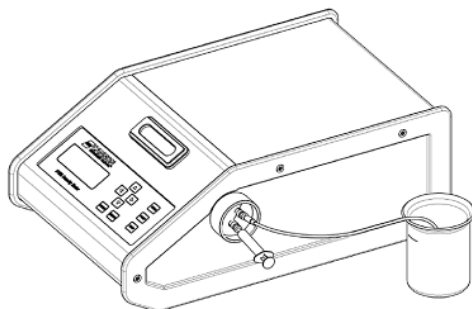
Accessories & Consumables

Description	Part #
SOFT-CAP data capture software	95.0257
Dot matrix printer	95.0239

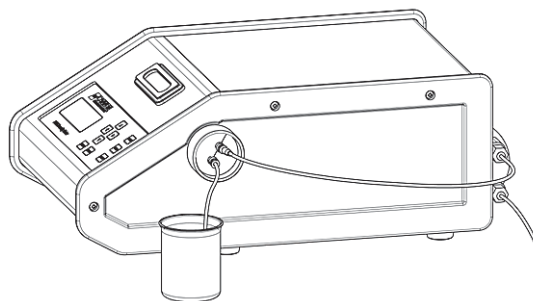
Product Specifications

Dimensions [W x D x H]	26.9 cm x 40.8 cm x 16.5 cm [10 in x 16 in x 6.5 in]	
Weight	11.6 kg [25.6 lb]	
Test range & precision	Density	0 g/cm ³ to 2 g/cm ³ ± 0.001 g/cm ³
Resolution	Density	0.0001 g/cm ³ step
	Temperature	0.05 °C step
	Specific gravity	0.0001 step
	Temperature compensated parameters	0.0001 step
	API degree	0.1 step
Repeatability	Density	SD 0.0005 g/cm ³
Temperature range & precision	15 °C to 25 °C (0.1 °C)	
Minimum sample volume	Manual [syringe]: 1 mL With peristaltic pump: 8 mL	
Operating conditions	5 °C to 35 °C, <85% relative humidity [non-condensing]	
Electrical specifications	100 VAC ~ 240 VAC; 50/60 Hz; ~30 watt power consumption	
Data output	RS-232C and USB	

D155 Sampling Options



Syringe



Optional Peristaltic Pump

CANNON Instrument Company® provides a variety of physical property testing equipment and consumables [vials, bath fluids, and reference materials] for your testing needs. To learn more, contact sales@cannoninstrument.com.



2139 High Tech Road | State College | PA | 16803
800-676-6232 | 814-353-8000 | Fax 814-353-8007

sales@cannoninstrument.com | www.cannoninstrument.com